

Features

- Contact gap is 4.0mm
- 40A switching capability,100A loading current capability
- Outline Dimensions:(45X40X43)mm
- UL insulation system:Class F
- Main application: PV inverter,Inverter precharge circuit control,
Industrial control device



CHARACTERISTICS

Specifications	Item	100A	
Contact Data	Contact arrangement	1A	
	Contact resistance(initial)	≤5mΩ(6VDC 20A)	
	Contact material	AgSnO ₂	
Rated value	Rated load(Resistance load)	Connecting 40A,carrying 100A,breaking 40A 277VAC 85°C	
	Max.switching voltage	800VAC	
	Max.switching current	100A	
	Max.switching capacity	24000VA	
Electrical performance	Insulation resistance(initial)	1000MΩ(at500VDC)	
	Dielectric strength (initial)	Disconnect between main contacts	2500VAC 1min(50Hz/60Hz)
		Between coil&contacts	5000VAC 1min(50Hz/60Hz)
	Operate time	≤30ms	
	Release time	≤10ms	
Mechanical performance	Shock resistance	Functional	98m/s ² (10g)
		Destructive	980m/s ² (100g)
	Vibration resistance	10Hz~55Hz 1.5mm DA	
Endurance	Mechanical	1×10 ⁶ ops	
	Electrical	ON/OFF=1S/9S Connecting 60A carrying 100A breaking 60A 277VAC Resistive 3×10 ⁴ ops	
Surge voltage (Between coil&contacts)		10KV(1.2/50 μ s)	
Operate condition	Ambient temperature	-40°C~+85°C	
	Humidity	5%~85%RH	
Unit weight		Approx.136g	
Construction		Flux proofed	

Note:The above datas are the initial values



■ COIL DATA(23℃)

Nominal Voltage	Operate Voltage VDC	Release Voltage VDC	Rated Current (±10%)A	Coil Resistance (±10%)Ω	Nominal Power	Sustaining voltage	Max Voltage VDC
DC 6V	≤4.5	≥0.3	0.533	11.3	3.2W	40%-100%Un (Ambient temperature25℃) 50%-60%Un (Ambient temperature85℃)	6.6
DC 9V	≤6.75	≥0.45	0.356	25.3			9.9
DC 12V	≤9	≥0.6	0.267	45			13.2
DC 24V	≤18	≥1.2	0.133	180			26.4
DC 48V	≤36	≥2.4	0.067	720			52.8

Remark:

- 1.the coil holding voltage is the voltage applied to coil 100ms after the rated voltage;
- 2.To avoid overheating and burning,the coil can not be consistently applied to with voltage larger than maximum holding voltage.

■ ORDERING INFORMATION

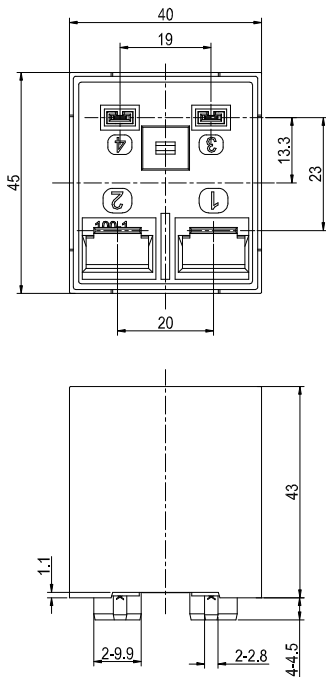
FH66NE 100 -1A 1 T F -XXX -DC12V

- ① Type
- ② Rated Current: 100=100A
- ③ Contact arrangement: 1A=1 open contacts
- ④ Terminal: 1=Standard type
- ⑤ Contact material:T=AgSnO₂
- ⑥ Insulation standard:Nil=Blank F=Class F
- ⑦ Customer special code:numbers or letters denote customer's requirements
- ⑧ Coil specification:DC6/9/12/24/48V

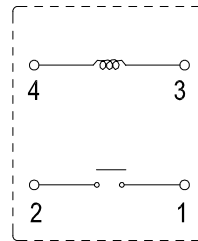


WIRING DIAGRAM AND PC BOARD LAYOUT(Unit:mm)

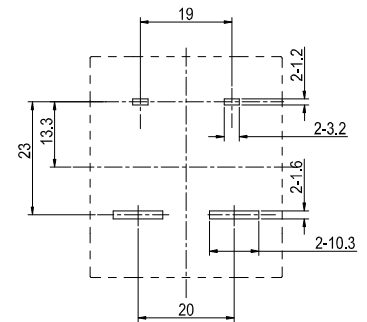
Outline Dimensions



Wiring Diagram
(Bottom view)



PCB Layout
(Bottom view)



Remark:(1)In case of no tolerance shown in outline dimension:outline dimension \leq 1mm,tolerance should be \pm 0.2mm;outline dimension $>$ 1mm and $<$ 5mm,tolerance should be \pm 0.3mm;outline dimension \geq 5mm,tolerance should be \pm 0.5mm.

(2) The tolerance without indicating for PCB layout is always \pm 0.1mm.

SAFETY APPROVAL RATINGS

Approval	File No.	Approved ratings					
UL/C-UL	E475405	Connecting 60/50A/40A	carrying 100A	breaking 60/50A/40A	277VAC	Resistive	85°C
		Connecting 30A	carrying 100A	breaking 30A	800VAC	Resistive	85°C
		800A 80VDC				Resistive	40°C
TUV	R 50601543	Connecting 60A	carrying 100A	breaking 60A	277VAC	Resistive	85°C
		Connecting 30A	carrying 100A	breaking 30A	800VAC	Resistive	85°C
CQC	CQC23002405299	Connecting 60/50A/40A	carrying 100A	breaking 60/50A/40A	277VAC	Resistive	85°C
		Connecting 30A	carrying 100A	breaking 30A	800VAC	Resistive	85°C

NOTICE

- In order to maintain the initial performance parameters of the relay, please be careful not to drop the product or be affected by external force;
- The soldering temperature of load extraction terminal with copper is $260^{\circ}\text{C}\pm 5^{\circ}\text{C}$,soldering time is 3~5S;
- The specification is for reference only.Specifications subject to change without notice.